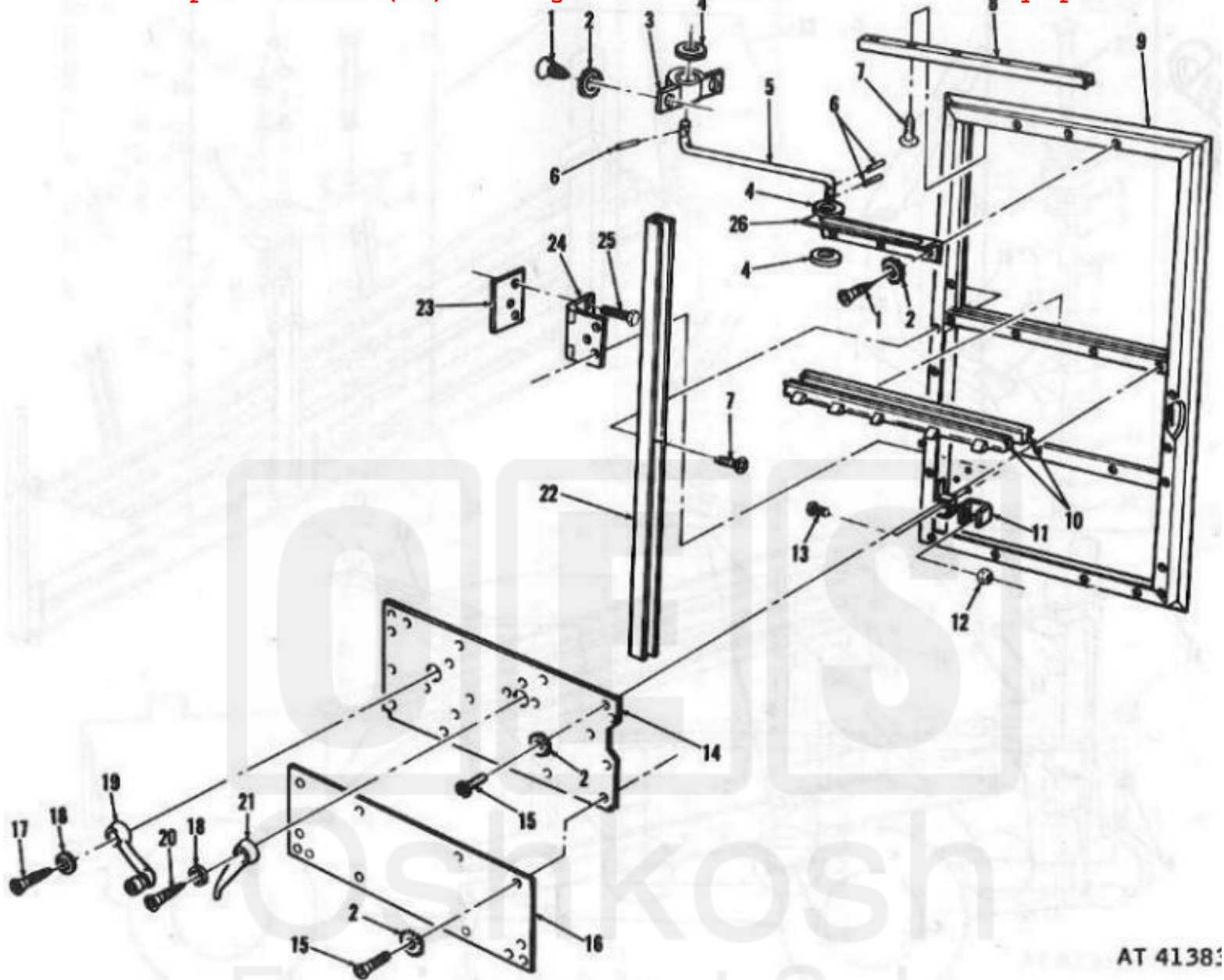


Current part is item (21) on diagram. Available at [www.oshkoshequipment.com](http://www.oshkoshequipment.com)



AT 41381

Figure 117: Drivers and Passengers Door and Related Parts (M725)

(1) SMR code	(2) Federal Stock Number	(3) Description  Reference Number & Mfg. Code Usable on Code	(4) Unit of meas	(5) Qty inc in unit	(6) 30-day DS maint. allowance			(7) 30-day GS maint. allowance			(8) 1-yr alw per 100 equip cntgcy	(9) Depot maint alw per 100 equip	(10) Illustration	
					(a) 1-20	(b) 21-50	(c) 51-100	(a) 1-20	(b) 21-50	(c) 51-100			(a) Figure No.	(b) Item No.
X20		1812 SPECIAL PURPOSE BODY-AMBULANCE Continued DOOR ASSEMBLY, FRONT L. H. 11658044-1 (19207)	EA	1	*	*	*	*	*	*			117	9

Current part is item (21) on diagram. Available at [www.oshkoshequipment.com](http://www.oshkoshequipment.com)

X20		DOOR ASSEMBLY, FRONT, R. H. 11658044-2 (19207)	EA	1	*	*	*	*	*	*			117	9
PO	5330-157-4618	WEATHERSTRIP, LOWER, FRONT DOOR GLASS 11662561(19207)	EA	4	*	*	*	*	*	*			117	10
X20		BRACKET, WINDOW STOP 11658251 (19207)	EA	4	*	*	*	*	*	*			117	11
PO	5310-013-1245	NUT, SELF-LOCKING, STOP BRACKET MS51922-1 (96906)	EA	4	*	*	*	*	*	*			117	12
PO	5305-071-2242	SCREW, CAP, STOP BRACKET MS90725-9 (96906)	EA	4	*	*	*	*	*	*			117	13
X20		PANEL ASSEMBLY, L. H. DOOR 11658591-1 (19207)	EA	1	*	*	*	*	*	*			117	14
X20		PANEL ASSEMBLY, R. H. DOOR 11658591-2 (19207)	EA	1	*	*	*	*	*	*			117	14
PO	5305-855-0964	SCREW, SELF-TAPPING, UPPER AND LOWER PANEL MS24629-48 (96906)	EA	40	*	*	*	*	*	*			117	15
X20		PANEL, DOOR, LOWER 11658635 (19207)	EA	2	*	*	*	*	*	*			117	16
PO	5305-015-5358	SCREW, MACHINE, WINDOW HANDLE 155358 (24617)	EA	2	*	*	*	*	*	*			117	17
PO	5310-582-5965	WASHER, LOCK, DOOR AND WINDOW HANDLE MS35338-44 (96906)	EA	4	*	*	*	*	*	*			117	18
PO	2540-737-3304	HANDLE, WINDOW 7975607 (19207)	EA	2	*	*	*	*	*	*			117	19
PO	5305-988-1725	SCREW, MACHINE, DOOR HANDLE 155348 (24617)	EA	2	*	*	*	*	*	*			117	20

(1) SMR code	(2) Federal Stock Number	(3) Description  Reference Number & Mfg. Code Usable on Code	(4) Unit of meas	(5) Qty inc in unit	(6) 30-day DS maint. allowance			(7) 30-day GS maint. allowance			(8) 1-yr alw per 100 equip cntgcy	(9) Depot maint alw per 100 equip	(10) Illustration	
					(a) 1-20	(b) 21-50	(c) 51-100	(a) 1-20	(b) 21-50	(c) 51-100			(a) Figure No.	(b) Item No.
		1812 SPECIAL PURPOSE BODY-AMBULANCE Continued												
PO	2540-797-5609	HANDLE, FRONT DOOR, INSIDE 7075609 (19207)	EA	2	*	*	*	*	*	*			117	21
X20		CHANNEL, SIDE, FRONT DOOR 11662594-2 (19207)	EA	4	*	*	*	*	*	*			117	22
PO		SPACER, HINGE 11658232 (19207)	EA	V	*	*	*	*	*	*			117	23
PO		HINGE ASSEMBLY, FRONT DOOR 11641038 (19207)	EA	4	*	*	*	*	*	*			117	24
PO	5306-042-5589	SCREW, CAP, HINGE MOUNTING 425589 (24617)	EA	24	*	*	*	*	*	*			117	25

Current part is item (21) on diagram. Available at [www.oshkoshequipment.com](http://www.oshkoshequipment.com)